



Outperform every day.™

Project:

Item Number:

Quantity:

CONVEYOR TOASTERS - 250-350 SLICES PER HOUR* (MODELS JT1, JT1H)

Item No.	Model No.	Description
CT2-120350	JT1	350 Slices Per Hour*
CT2H-120250	JT1H	250 Slices Per Hour*, High Clearance

CT2-120350



CT2H-120250

Vollrath's 250-350 slice per hour, 120V conveyor toasters feature easy to use conveyor control to perfectly toast a variety of bread products - from sliced bread to buns and bagels. These toasters are well suited for lower volume applications such as self-serve breakfast buffets and to replace pop-up toasters.

- Stainless steel and aluminized steel construction.
- Variable speed control allows for real-time adjustments.
- 10½" (26.7 cm) 2-slice wide conveyor is larger than industry standard for better toasting results.
- Forced convection toasting promotes uniform results and energy efficiency.
- Energy efficient, fast reacting, quartz heaters.
- High-quality, insulated wires help prevent against dry rotting and cracking.
- High-temperature thermoplastic terminal blocks with stainless steel clamping provides superior connections; designed for ease of serviceability.
- Maintenance-free drive system; stainless steel drive chain does not require lubrication.
- Standby mode saves up to 75 percent energy during slow periods when unit is not in use and allows machine to quickly return to full power.
- Adjustable legs.
- 4½ ft. (1.4 m) cord with plug.
- Made in the USA.

- Warrantied parts: The warranty period is 2 year parts, 1 year labor.
- Heater tubes: The warranty period is 1 year, including labor when performed at an authorized service center. Heater tube glass damage is not covered by this warranty.
- For full warranty details, please refer to www.Vollrath.com.

- Do not place on surfaces or near walls, partitions or kitchen furniture unless they are made of non-combustible material or clad with non-combustible heat-insulating material. Toasters must not be used near or below curtains and other combustible materials.
- Maximum ambient temperature: 104° F (40° C).



* Slices per hour is based on maximum conveyor speed. Conveyor speed determines toasting time and affects color and texture of the toast. Results may vary based upon type of bread, color and texture preference.

Due to continued product improvement, please consult www.vollrath.com for current product specifications.

Approvals	Date

The Vollrath Company, L.L.C.



Outperform every day.™

The Vollrath Company, L.L.C.

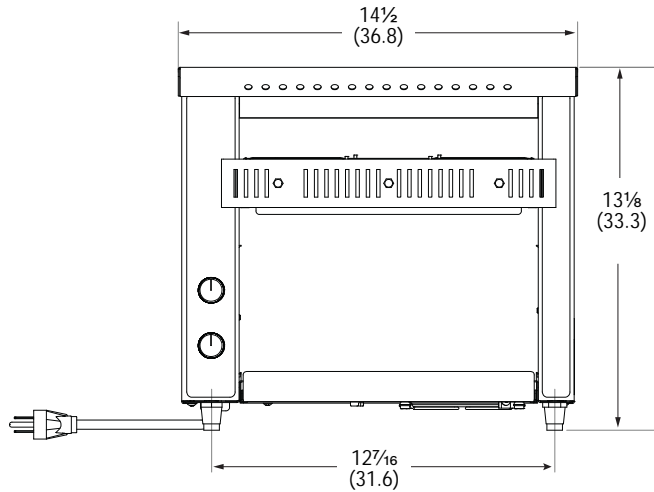
1236 North 18th Street
Sheboygan, WI 53081-3201 U.S.A.
Main Tel: 800.624.2051 or 920.457.4851
Main Fax: 800.752.5620 or 920.459.6573
Customer Service: 800.628.0830
Canada Customer Service: 800.695.8560

Technical Services
techservicereps@vollrathco.com
Toasters: 1-800-309-2250
All Other Products: 800.628.0832

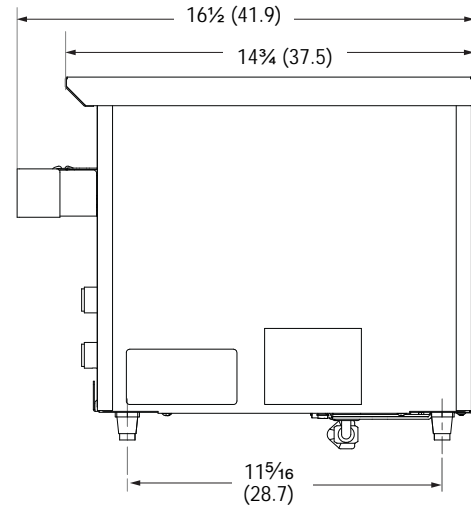
CONVEYOR TOASTERS - 250-350 SLICES PER HOUR* (MODELS JT1, JT1H)

DIMENSIONS (Shown in inches (cm))

CT2-120350

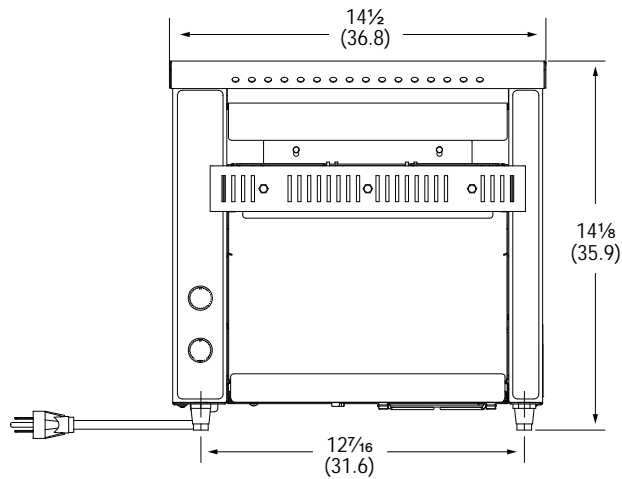


Front View

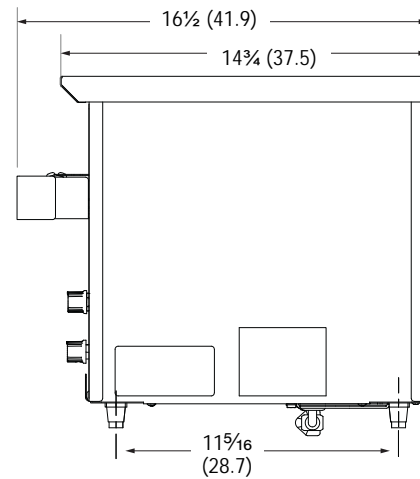


Side View

CT2H-120250

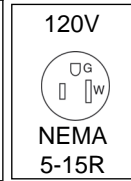


Front View



Side View

Item No.	Model	Slices or Bun Halves per Hour* (Up To)	Product Opening In (CM)	Voltage	Watts	Amps	Hz	Weight LB (KG)	Plug
CT2-120350	JT1	350	1 3/8 (3.2)	120	1600	13.3	60	35 (15.9)	NEMA 5-15P
CT2H-120250	JT1H	250	1-2 1/8 (2.5-7.6)						



* Slices per hour is based on maximum conveyor speed. Conveyor speed determines toasting time and affects color and texture of the toast. Results may vary based upon type of bread, color and texture preference.

The Vollrath Company, L.L.C.



Outperform every day.™

The Vollrath Company, L.L.C.

1236 North 18th Street
 Sheboygan, WI 53081-3201 U.S.A.
 Main Tel: 800.624.2051 or 920.457.4851
 Main Fax: 800.752.5620 or 920.459.6573
 Customer Service: 800.628.0830
 Canada Customer Service: 800.695.8560

Technical Services
 techservicereps@vollrathco.com
 Toasters: 1-800-309-2250
 All Other Products: 800.628.0832